

SURVEYOR



As the leader in the design and manufacture of Surveyor lifeguard observation towers Industrial Design Research has now developed an innovative **LIFEGUARD OBSERVATION STAND**. Our new product offers the expected Surveyor quality and durability with many advantageous features.

Patent pending copyright all rights reserved

SAFETY COMFORT QUALITY



Anatomically contoured seat provides correct support and reduces fatigue. (contours shown with blue grid lines)

LIFEGUARD OBSERVATION STAND FEATURES

Wide steps are set at a 50 degree angle with non-skid surfaces and provide efficient, safe ascent and descent.

Assist rails (standard on 60" stand) increase safety and stability.

The top step doubles as a platform for stand up viewing.

Integral foot rest allows flexible seating positions.

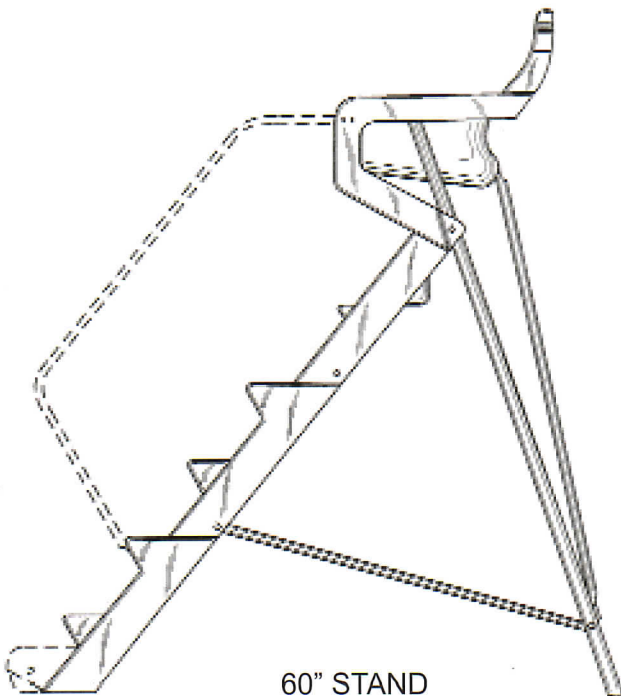
Durable modular fiberglass construction (standard color: Newport White).

Steps reinforced with 1/2" thick balsa core.

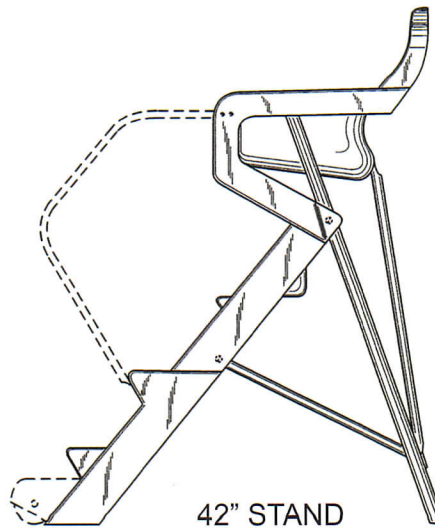
Covered wheels for safety and protection from ultra-violet degradation.

Electropolished 304 grade stainless steel tube structure and rails.

All fasteners are 18-8 grade stainless steel.



60" STAND



42" STAND

PRICING, MODELS AND OPTIONS

| | |
|---------------------------------------|------------|
| Standard model | |
| 42" high seat | \$1,158.00 |
| Optional assist rails | \$277.00 |
| Elevated model | |
| 60" high seat (assist rails included) | \$1,710.00 |
| Stainless steel umbrella holder | \$79.50 |
| Stainless steel float clip | \$39.50 |

Prices and specifications subject to change without notice.

INDUSTRIAL DESIGN RESEARCH

3121 West Central Avenue, Santa Ana, CA 92704

office: 714 557 4009 / cell: 714 420 0695 / fax: 714 545 8137

email: indesre@sbcglobal.net / website: SurveyorLifeguardTowers.com

Patent pending copyright all rights reserved