

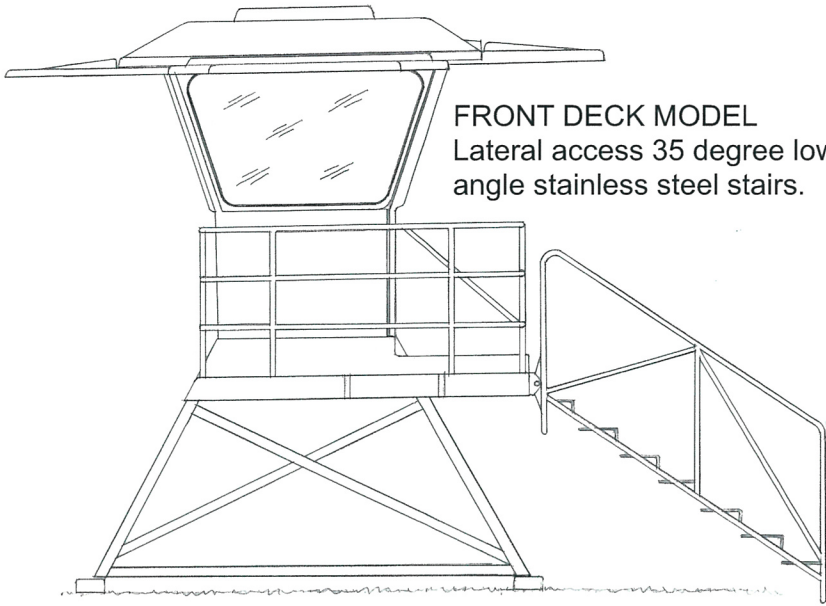
SURVEYOR

INDUSTRIAL DESIGN RESEARCH

SURVEYOR JR. FEATURES

- Molded interior bench seat
- Lockable interior storage box
- 1/4" solar gray tempered glass windows set at 15 degree inclination
- Large roof vent hatch
- Hatches, door, and shutter designed for maximum resistance to vandalism and ease of operation
- Provision for location of binoculars, radio, etc.
- Exterior observation deck
- Polished stainless steel ladder and railings
- Stainless steel latches, hardware and fasteners
- Hot-dipped galvanized steel support structure and skids with zinc plated fasteners
- Sliding window for ventilation and exterior window washing





bottom photo
FRONT DECK MODEL with
17 degree ramp mounted on
a concrete caisson.
Laguna Beach, CA

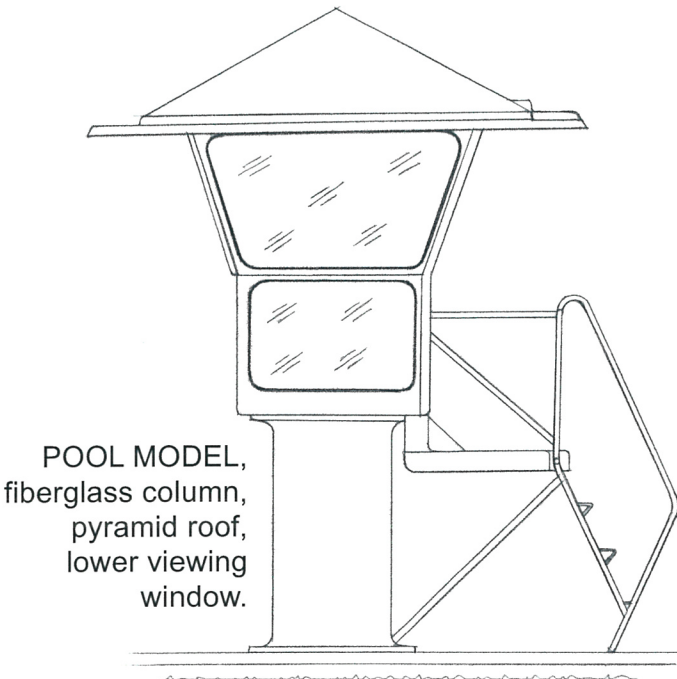
top right photo
HURRICANE RESISTANT
TOWER on stainless steel
column.
Okaloosa Pier, FL





top photo
FRONT DECK MODEL
with 6' high front deck,
pyramid roof,
17 degree ramp.
Hansen Dam Aquatic
Center, CA

bottom right photo
POOL MODEL
on fiberglass column.
Carlsbad Municipal
Pool, Carlsbad, CA



POOL MODEL,
fiberglass column,
pyramid roof,
lower viewing
window.



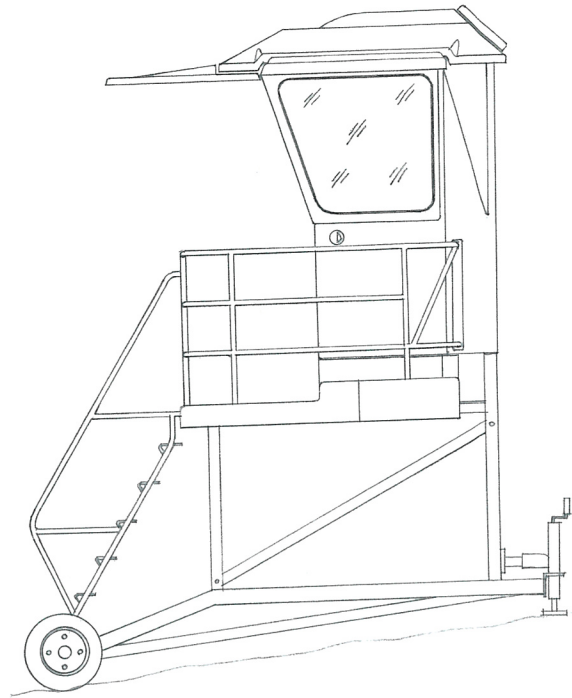
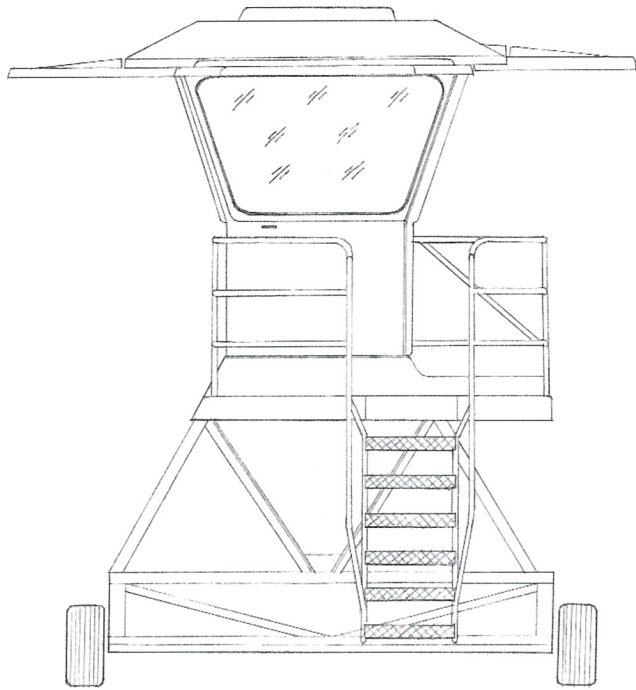
DESIGN SPECIFICATIONS AND FEATURES

- Molded structural fiberglass components mounted on a modular steel support structure. Galvanized steel standard (304 stainless steel optional). The support structure incorporates skids designed for towing the completely assembled JR to and from designated beach sites.
- The Shelter provides protection from sun, wind and inclement weather.
- Maximum forward visibility throughout a 180 degree field for an observer.
- Entry-egress to the shelter via one door on the left side of the forward-facing shelter.
- Ventilation and interior air flow when the shelter door is closed via sliding window and roof vent hatch.
- Resistance to vandalism is provided by one-piece fiberglass shutters.
- Doors and shutters use hardware designed so that the shelter may be secured with one exterior keyed lock.
- The operation of the doors and shutters are designed so as to require one person at a time, a period of two (2) minutes or less, to open or to secure the station.
- All three windows slope out from the bottom approximately 15 degrees to reflect heat and reduce glare.
- Windows are of 1/4" tempered glass, tinted grey, set with "zip strip" seal for the front and door window. The right window has two sliding sections in an aluminum frame.
- All hinges, latches, fasteners are stainless steel.
- Fiberglass bench seat with lumbar support and foot rest.
- Lockable cabinet with table top area.
- Fiberglass components are finished with the highest quality polyester gel-coat finish.
- Visually exposed backside surfaces of fiberglass panels are flow coated in white gel-coat.
- Floor and deck areas have repairable non-skid surfaces, reinforced with 1/2" thick balsa-core.
- Fiberglass corner structures are reduced to a minimum in order to provide maximum visibility and reinforced with 3/4" round steel tubing.
- 30 degree ladder with diamond plate treads.
- Railings and ladder are polished for maximum corrosion resistance.

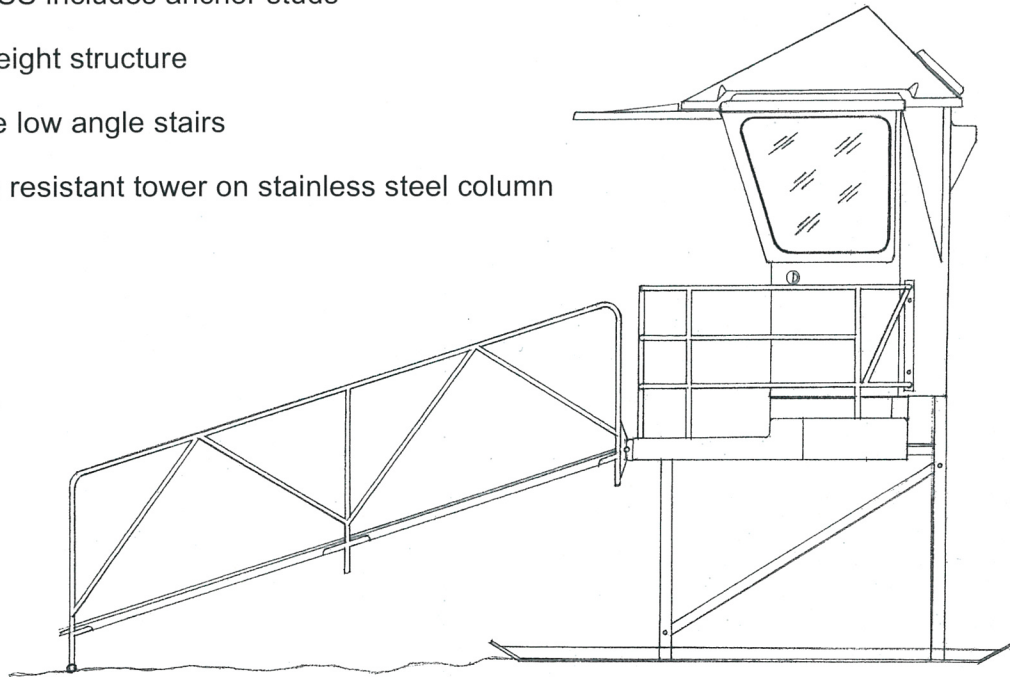
SURVEYOR JR

CUSTOM CONFIGURATIONS

PRICING AVAILABLE ON REQUEST



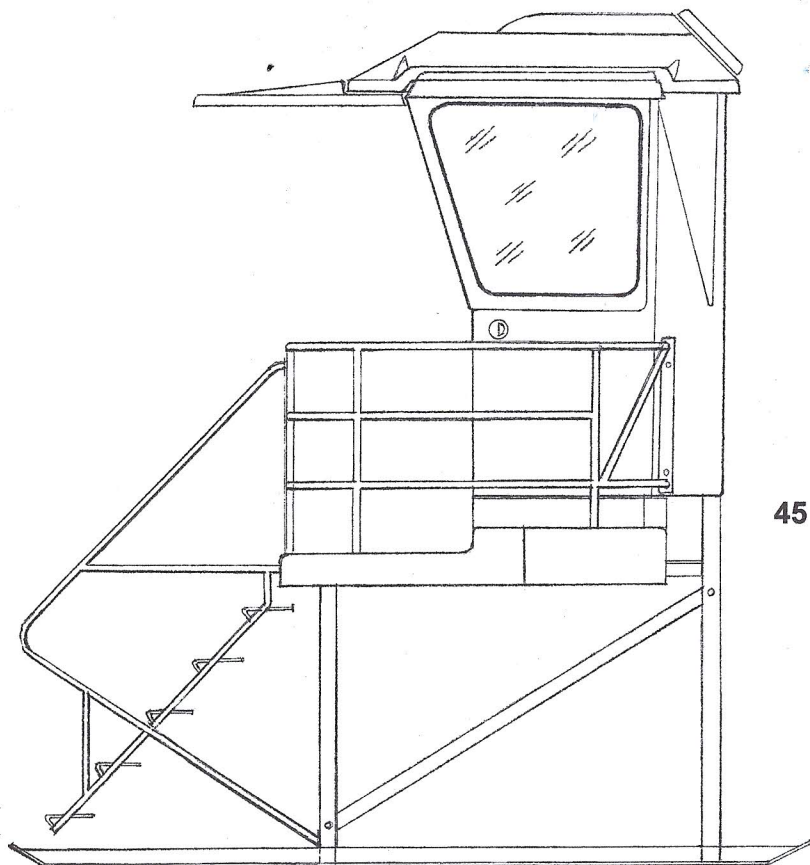
- wheeled tower with custom structure: 20" diameter tires, leveling jacks, trailer hitch
- pool installation: custom stainless steel ladder, railings, and fiberglass lateral deck, custom fiberglass support column (installation to be quoted separately)
- column mount installation: cantilever structure adapted to concrete column, 304 SS includes anchor studs
- 6' deck height structure
- 35 degree low angle stairs
- hurricane resistant tower on stainless steel column



- front deck model with ramp, pyramid roof

SURVEYOR JR

OPTIONAL FEATURES



45 DEGREE HI-ANGLE STAIRS

Stainless steel diamond plate treads and extended skids. Stairs are integrally mounted allowing tower to be moved as a complete unit.

\$785.00

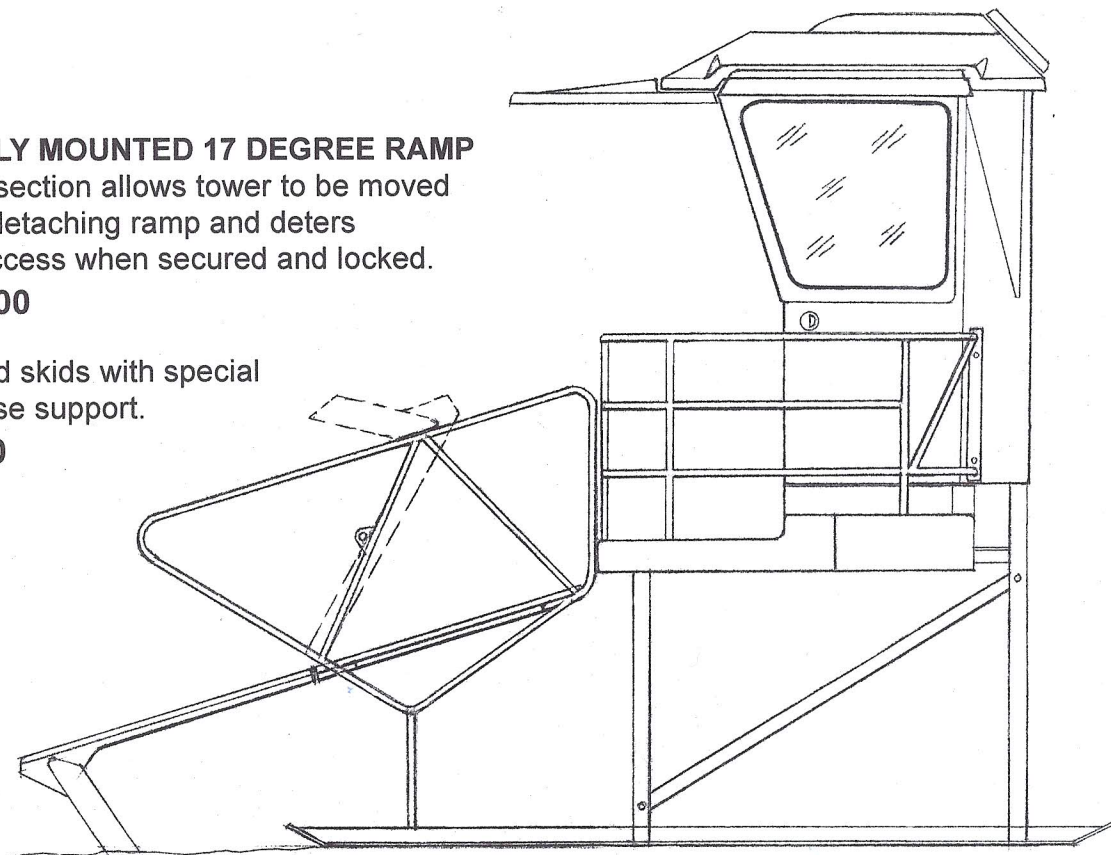
INTEGRALLY MOUNTED 17 DEGREE RAMP

Fold-up section allows tower to be moved without detaching ramp and deters public access when secured and locked.

\$3,135.00

Extended skids with special transverse support.

\$670.00



INDUSTRIAL **D**ESIGN **R**ESEARCH